



Facet bilge water separator is a device compact, adaptable to the small spaces available on board, lightweight and low maintenance. Its operation is very easy and completely automatic, with all its functions controlled through a PLC.

The presence of emulsified oil in the bilge water of the latest generation vessels caused IMO to issue the resolution MEPC.107(49), which requires that the resulting effluent after bilge water treatment must contain levels below 15 ppm of surfactants.

This model combines the classic coalescing plates Facet MPak® with the disposal membranes which achieve a high efficiency in the breakdown of chemical and mechanical emulsions.

This combination allows that Facet CPS B MKIII + EBM 14x Separator meets the strict requirements of the aforementioned IMO regulation.

Results

Facet CPS B MKIII + EBM 14x eliminates hydrocarbons in two stages. In the first stage, free hydrocarbon is separated from water through Facet coalescing plates, while in the second stage emulsions are broken by a membrane which removes emulsified hydrocarbon, reaching down an effluent with total hydrocarbon content of less than 5 ppm.

Standard Design Features

- Flow rate range homologated: from 0.5 m³/h (2.2 USGPM) to 10 m³/h (44 usgpm)
- Supplied ready to be installed
- No moving components other than pumps and pneumatic valves.
- Fixed control level, without float
- Very low maintenance, consisting in occasional hosing cleaning of the plates, and membrane replacement. No chemicals needed in both operations
- Water presence less than 5% in the separated oil, so it can be burned if required
- Power supply 380/440V, 50 or 60 Hz

Accessories

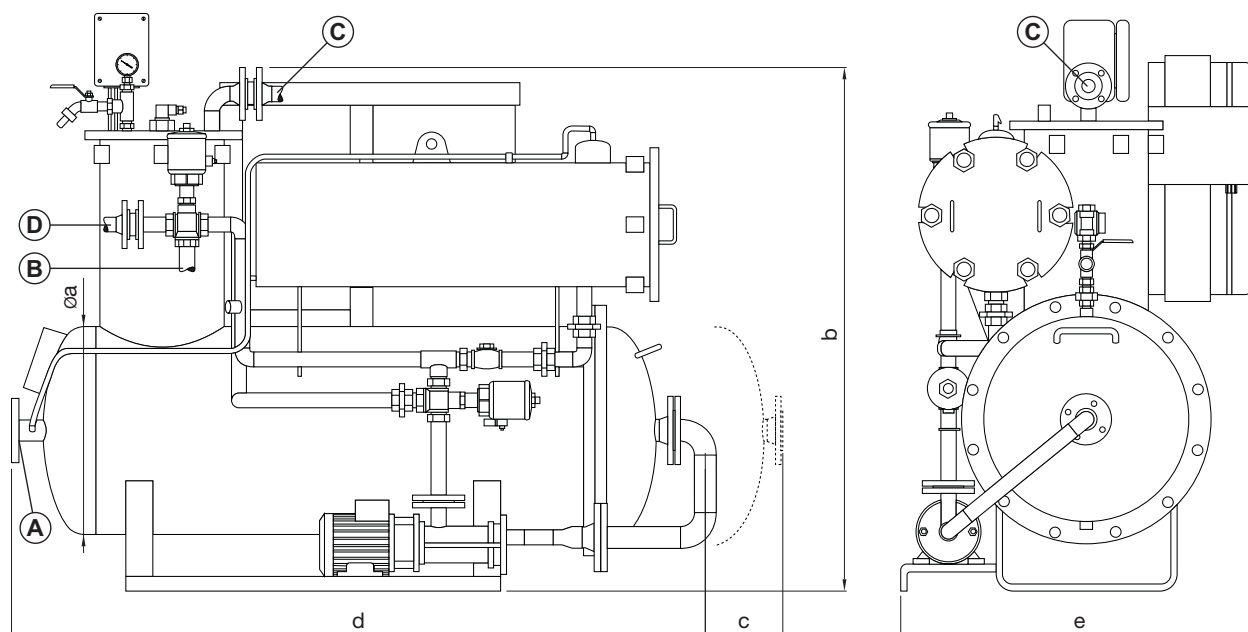
The equipment is supplied with the following accessories:

- Bilge alarm: as latest IMO MEPC. 107(49) resolution
- Electric heater in the oil dome to facilitate heavy oil discharge (if required)

Approvals

Facet CPS B MKIII + EBM 14x bilge water separators have been tested, approved and certified according to the requirements of IMO MEPC.107(49).

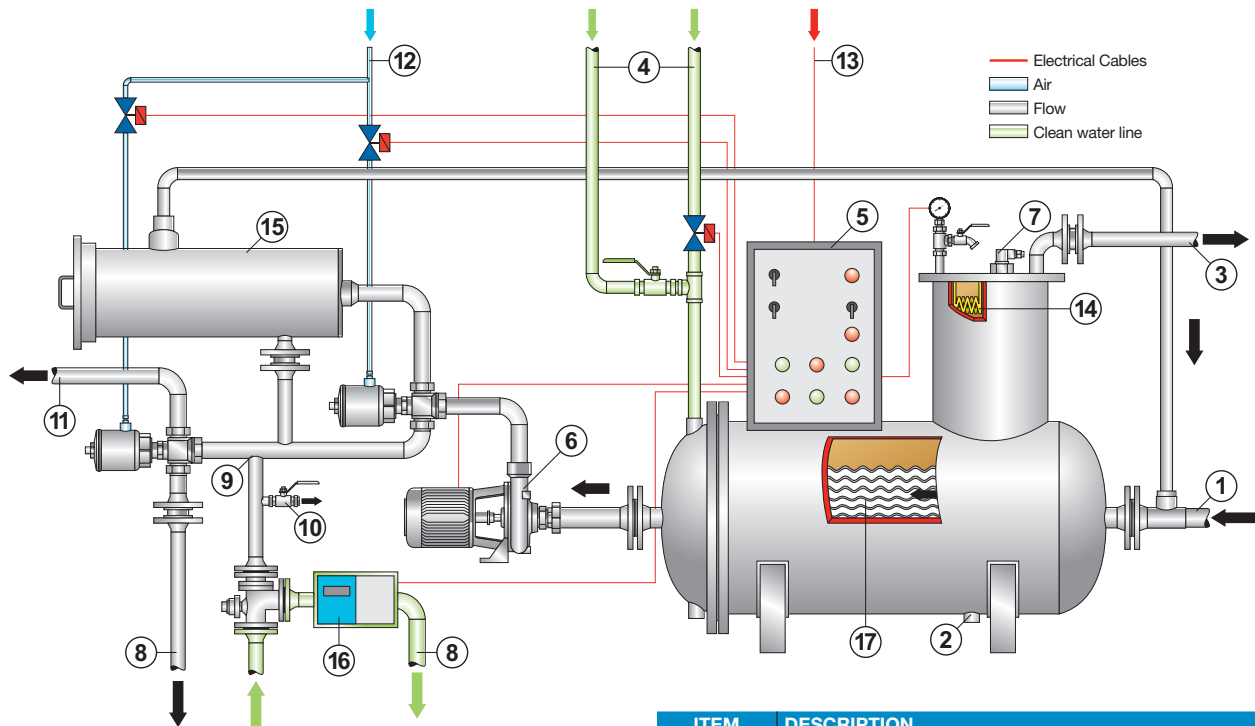
Bilge Water Separators with Disposal Membrane CPS B MKIII + EBM 14x



MODEL	DIMENSIONS										FLOW		WEIGHT		WORKING WEIGHT	
	a		b		c		d		e		gpm	m ³ /h	lbs	kg	lbs	kg
	in	mm	in	mm	in	mm	in	mm	in	mm						
CPS 2.5B MKIII+EBM 14x1	18 ⁷ / ₃₂	457	39 ³ / ₈	1000	10 ³ / ₄	275	33 ³ / ₈	860	32 ¹ / ₄	820	2.2	0.5	573	260	948	430
CPS 5B MKIII+EBM 14x1	18 ⁷ / ₃₂	457	39 ³ / ₈	1000	10 ³ / ₄	275	45	1145	33 ¹ / ₂	850	4.4	1	617	280	1036	470
CPS 10B MKIII+EBM 14x2	18 ⁷ / ₃₂	457	39 ³ / ₈	1000	39 ¹¹ / ₁₆	1010	69 ⁷ / ₁₆	1755	32 ¹ / ₄	820	11	2.5	915	415	1598	725
CPS 25B MKIII+EBM 3 14x2	35 ⁷ / ₁₆	900	57 ³ / ₈	1450	29 ⁷ / ₈	760	61 ¹ / ₂	1565	51 ¹¹ / ₁₆	1315	22	5	1620	735	3891	1765
CPS 50B MKIII+EBM 3 14x3	35 ⁷ / ₁₆	900	61 ¹ / ₁₆	1550	29 ⁷ / ₈	760	86 ⁷ / ₁₆	2185	51 ¹¹ / ₁₆	1315	44	10	1786	810	5357	2430

MODEL	CONNECTIONS			
	A (Inlet)	B (Discharge to sea)	C (Oil Discharge)	D (Discharge to Bilge)
CPS 2.5B MKIII+EBM 14x1	DN32 PN10/16	1/2" BSP	DN25 PN10	DN15 PN10
CPS 5B MKIII+EBM 14x1	DN32 PN10/16	1" BSP	DN25 PN10	DN25 PN10
CPS 10B MKIII+EBM 14x2	DN32 PN10/16	1" BSP	DN25 PN10	DN25 PN10
CPS 25B MKIII+EBM 3 14x2	DN65 PN10/16	2" BSP	DN50 PN10	DN50 PN10
CPS 50B MKIII+EBM 3 14x3	DN65 PN10/16	2" BSP	DN50 PN10	DN50 PN10

Bilge Water Separators with Disposal Membrane CPS B MKIII + EBM 14x



ITEM	DESCRIPTION
1	Oily water inlet line from bilge
2	Drain
3	Oil outlet
4	Clean water inlet
5	Control panel
6	Pump
7	Level control
8	Back to bilge line
9	Sample probe
10	Sample point
11	Overboard water outlet line
12	Air line (customer supply)
13	Electrical line (customer supply)
14	Heater (optional)
15	EBM 14x Separator module
16	PPM alarm & sensor
17	Facet MPak®